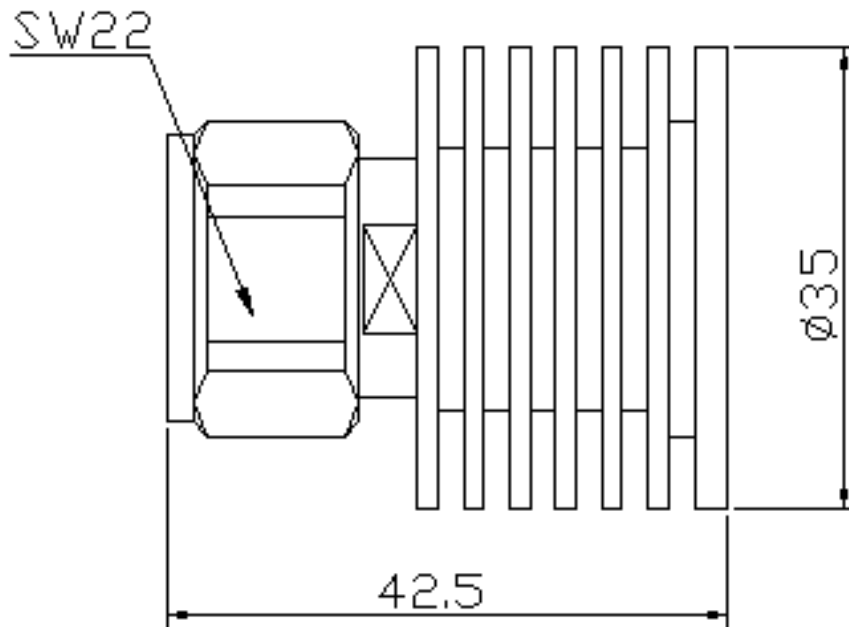


4.3/10 DIN MALE,10W(DC-3GHz):

Specification of 4.3/10 DIN Type ,10W Terminator Load (DC-3GHz):

Item	Specification
Model	4.3M-10W-D
Power (Average)	10W
Power (Peak)	1.5KW
Frequency Range	DC-3GHz
VSWR	≤ 1.15
Impedance	50 Ω
Connector Type	4.3/10 DIN Male
Inner Plating	Silver Plate or Gilded Plate
Body Color	Black
Radiator	Alumina,RoHS Compliant
Temperature	-35°C - +80°C
Annotation	Indoor/Outdoor Use, IP65

Product Picture



Note: The picture and the specification are just for reference. Be subject to the actual products if anything different or updated, Please pardon for without notice.