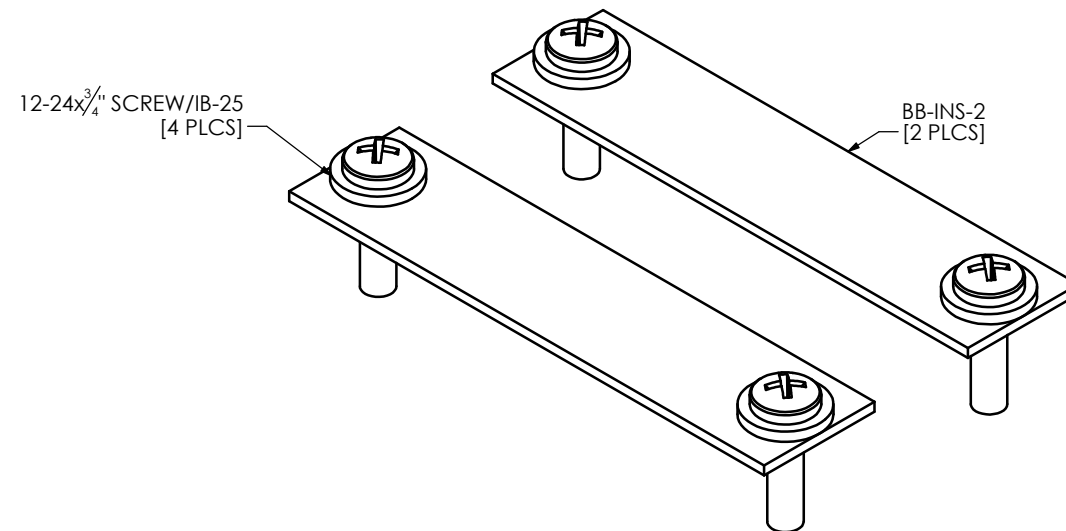


BILL OF MATERIALS

SHIP MARK	PC MARK	QTY.	DESCRIPTION	LENGTH	REMARKS	BLACK WT
BB-INS-2	-	2	DOUBLE SPACE INSULATOR FOR RACK MOUNT BUSS BARS	0'-3 1/2"	SHEAR	-
HARDWARE						
-	SC-12-24x34	4	#12-24 PHILLIPS PAN HEAD SCREW, T/F THREAD	0'-3/4"	-	-
-	IB-25	4	INSULATOR BUSHING, NYLON, .500" OD x .260" ID x .093" TALL	-	-	-




12-24x<sup>3</sup>/<sub>4</sub>" SCREW/IB-25  
[4 PLCS]

BB-INS-2  
[2 PLCS]

**BB-HK-ISO-2**  
SCALE 1:1

REVISIONS					
REV.	DATE	DESCRIPTION			BY
0	12/20/2019	INITIAL RELEASE			JW

 <b>IZZY INDUSTRIES</b> 701 RIVERWOOD STREET PEMBROKE, NH 03275 (T) 603-546-7117 (F) 866-715-4430	PROJECT TITLE <b>BB-HK-ISO-2</b> 19" RACK MOUNTING HARDWARE KIT INSTALL DRAWING			
	CLIENT / CUSTOMER IZZY INDUSTRIES CATALOG			JOB NO. -
	DRAWN BY ZM	DATE 12/20/2019	CHECKED BY IM	DATE 12/20/2019

THIS DOCUMENT IS THE PROPRIETARY DATA OF IZZY INDUSTRIES. NO DISCLOSURE, REPRODUCTION, OR USE OF ANY PART THEREOF MAY BE MADE EXCEPT BY WRITTEN PERMISSION.		GENERAL NOTES HOLES: AS NOTED FINISH: A123 GALVANIZING WELDING: STEEL ≤ GR.50: E7XT-X WIRE STEEL ≥ GR.65: E8XT-X WIRE	TOLERANCE: FRACTIONS - ± <sup>1</sup> / <sub>16</sub> " ANGLE - ±1°	REV. 0 SHEET A-01
---	--	---	---	----------------------------

**APPROVED**  
FOR CONSTRUCTION ON:  
12/20/2019