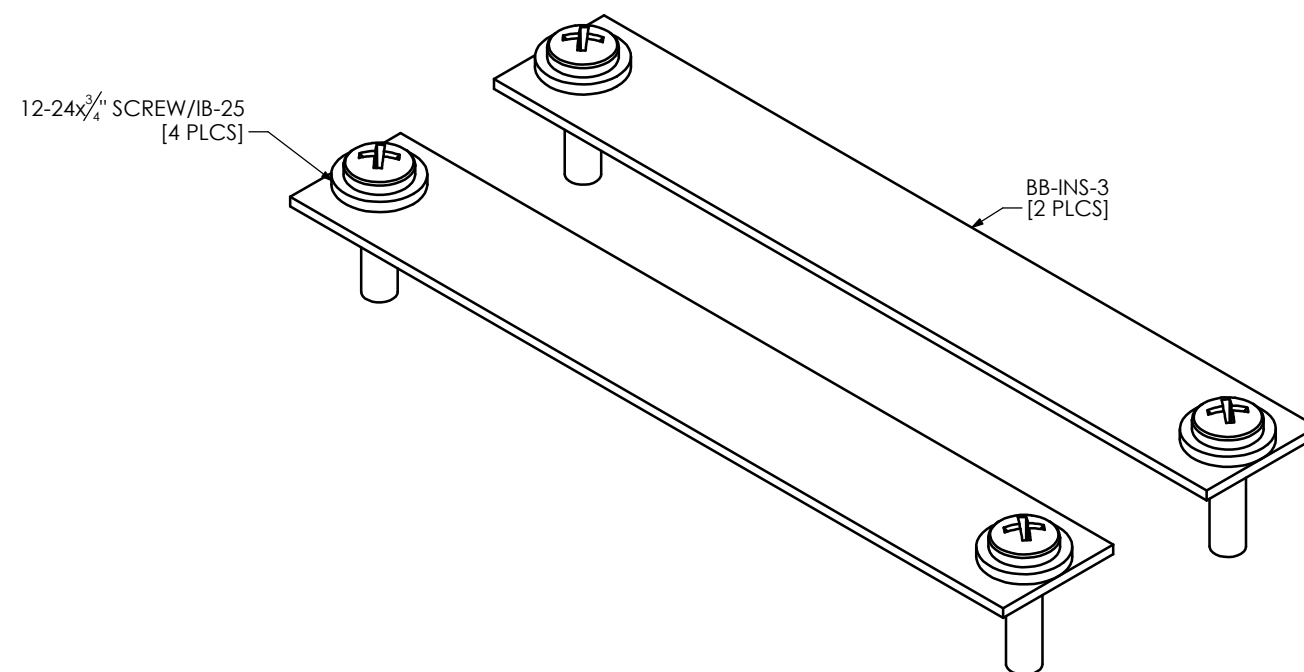



BILL OF MATERIALS

SHIP MARK	PC MARK	QTY.	DESCRIPTION	LENGTH	REMARKS	BLACK WT
BB-INS-3	-	2	TRIPLE SPACE INSULATOR FOR RACK MOUNT BUSS BARS	0'-5 1/4"	SHEAR	-
HARDWARE						
-	SC-12-24x34	4	#12-24 PHILLIPS PAN HEAD SCREW, T/F THREAD	0'-3/4"	-	-
-	IB-25	4	INSULATOR BUSHING, NYLON, .500" OD x .260" ID x .093" TALL	-	-	-



BB-HK-ISO-3
SCALE 1:1

REVISIONS					
REV.	DATE	DESCRIPTION			BY
0	12/20/2019	INITIAL RELEASE			JW

 IZZY INDUSTRIES 701 RIVERWOOD STREET PEMBROKE, NH 03275 (T) 603-546-7117 (F) 866-715-4430	PROJECT TITLE BB-HK-ISO-3 19" RACK MOUNTING HARDWARE KIT INSTALL DRAWING				
	CLIENT / CUSTOMER IZZY INDUSTRIES CATALOG			JOB NO. -	
	DRAWN BY ZM	DATE 12/20/2019	CHECKED BY IM	DATE 12/20/2019	SCALE NTS
GENERAL NOTES HOLES: AS NOTED FINISH: A123 GALVANIZING WELDING: STEEL ≤ GR.50: E7XT-X WIRE STEEL ≥ GR.65: E8XT-X WIRE					TOLERANCE: FRACTIONS - ± ¹ / ₁₆ " ANGLE - ±1°
THIS DOCUMENT IS THE PROPRIETARY DATA OF IZZY INDUSTRIES. NO DISCLOSURE, REPRODUCTION, OR USE OF ANY PART THEREOF MAY BE MADE EXCEPT BY WRITTEN PERMISSION.				REV. 0 SHEET A-01	

APPROVED
FOR CONSTRUCTION ON:
12/20/2019