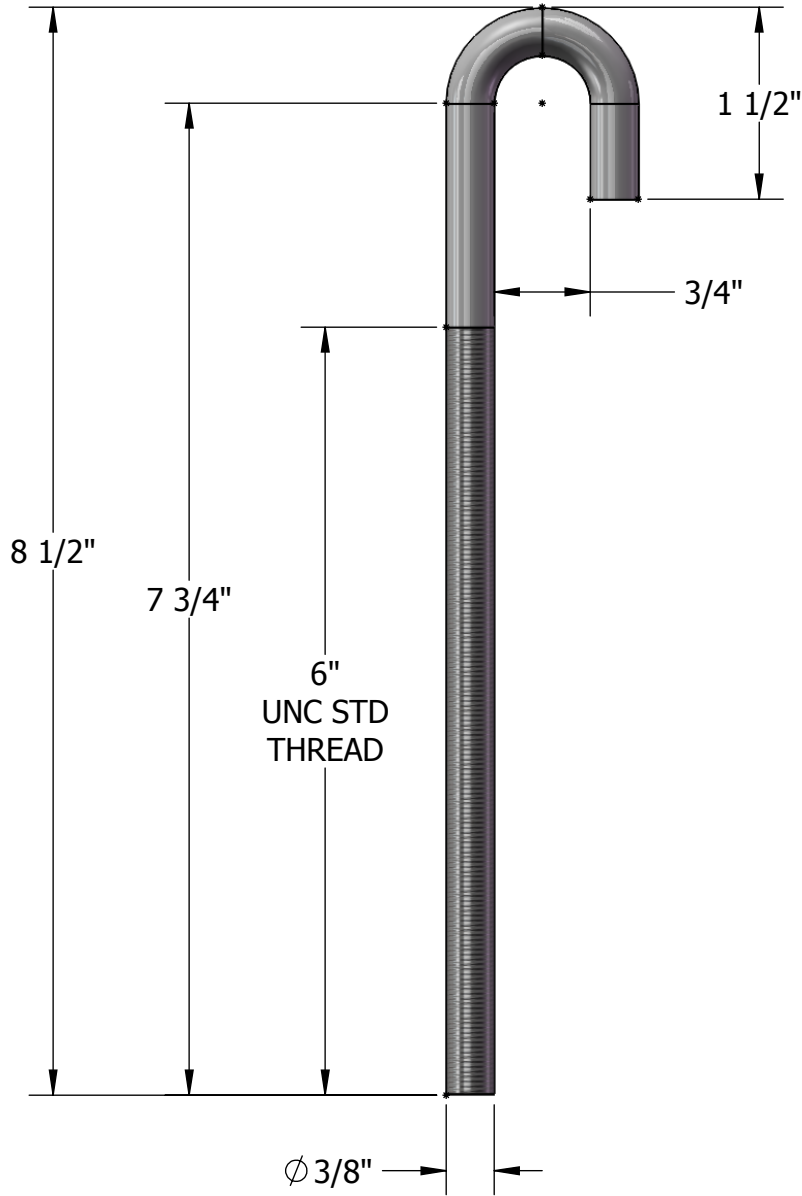


MATERIAL : A36

FINISH : GALVANIZED

WEIGHT (LBS): 0.32



3/8" X 3/4" X 8-1/2" X 6" ROUND J-BOLT

FILE: H26-1085-60 REV 0.SLDDRW

SCALE : 2:3

PAGE NUMBER

REVISION

DRAWN BY

DATE: 1/5/2016

1 OF 1

0

DJN

TOLERANCE:
UNLESS OTHERWISE
NOTED $\pm 1/32"$