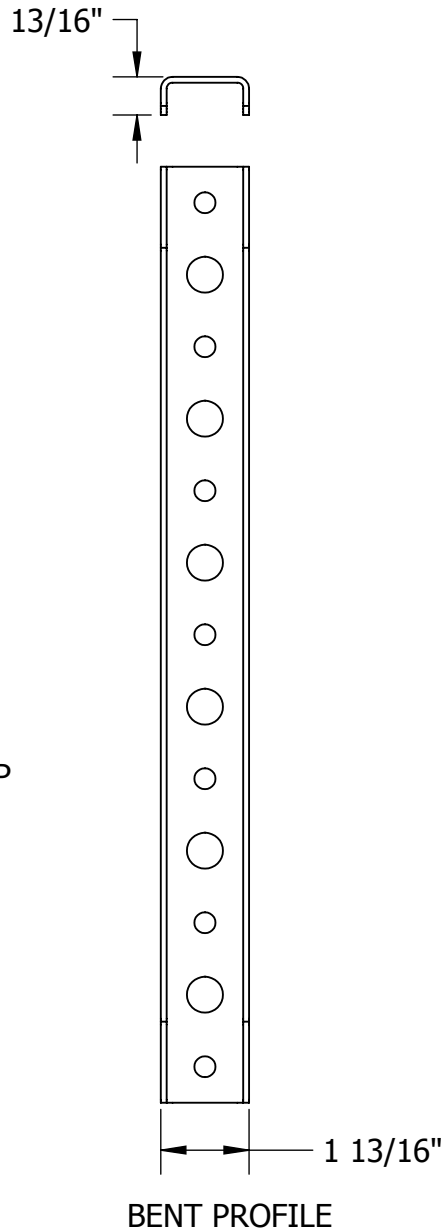
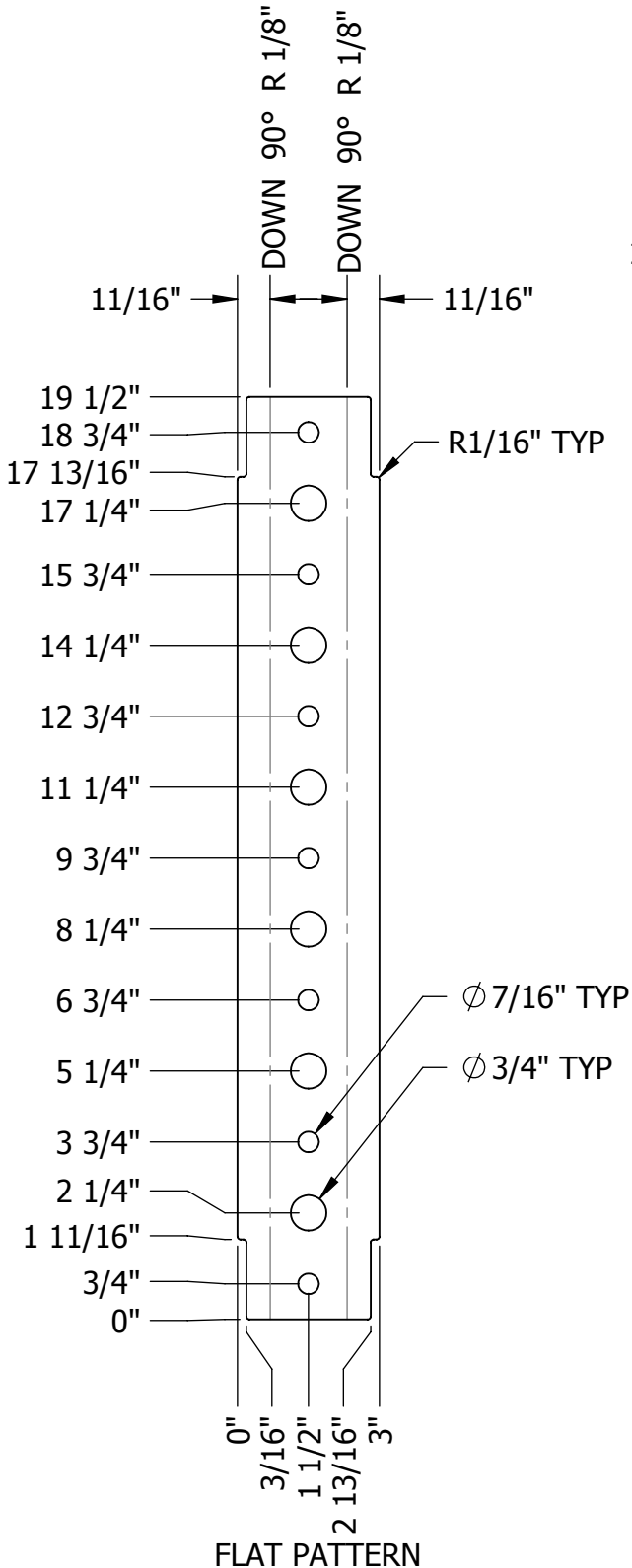
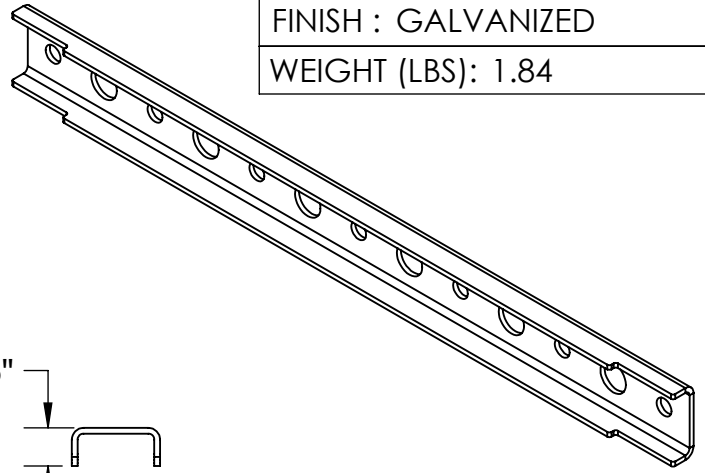
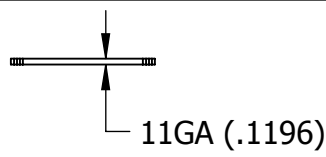


MATERIAL : A36
 FINISH : GALVANIZED
 WEIGHT (LBS): 1.84



PART # LR06

CABLE LADDER RUNG - 6 LINE



SCALE : 1:4

PAGE NUMBER

REVISION

DRAWN BY

DATE: 8/26/2015

1 OF 1

0

TOLERANCE U.N.O.:
 HOLES: +1/16", - 1/32"
 ALL OTHER: ±1/16"