

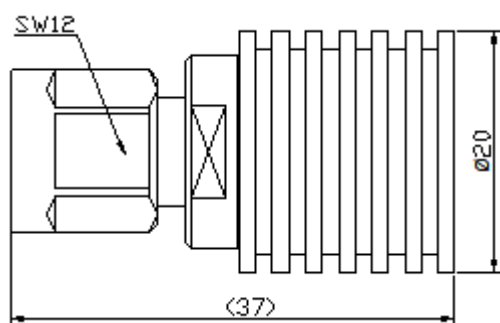
2W NEX10 TERMINATION LOAD (DC-6G)



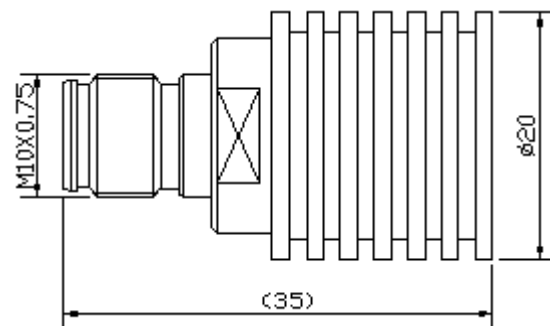
2W,NEX10 (DC-6GHz):
Specification of NEX10 Type ,2W Termination Load (DC-6GHz):

Item	Specification	
Model	2W-NEX10M-D	
Power (Average)	2W	
Power (Peak)	1.5KW	
Frequency Range	DC-6GHz	
VSWR	≤1.15 (DC-4GHz) ; ≤ 1.20 (4-6GHz)	
Impedance	50 Ω	
Connector Type	NEX10/ Male	NEX10/ Female
Inner Plating	Silver Plate or Gilded Plate	
Body Color	Black	
Radiator	Aluminum, RoHS Compliant	
Temperature	-35°C - +80°C	
Annotation	Indoor/Outdoor Use, IP65	

Product Drawing:



2W NEX10/ Male



2W NEX10/Female

5W NEX10 TERMINATION LOAD (DC-6G)

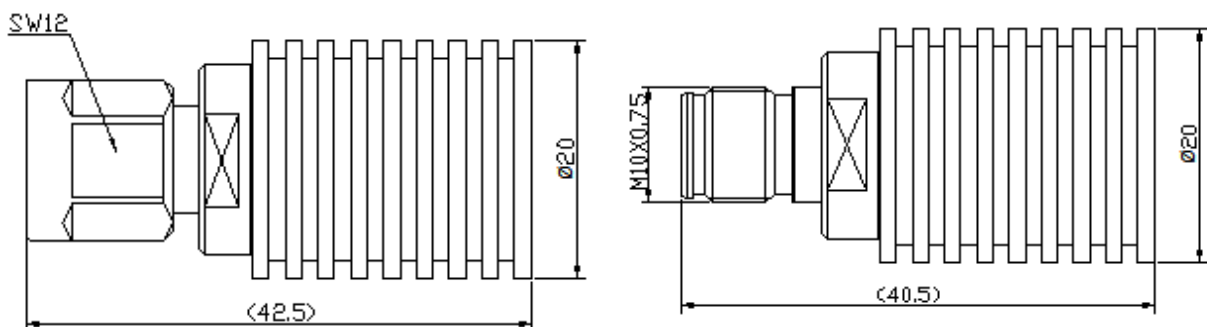


Rev.V1.1

5W, NEX10 (DC-6GHz):
Specification of NEX10 Type ,5W Termination Load (DC-6GHz):

Item	Specification	
Model	5W-NEX10M-D	
Power (Average)	5W	
Power (Peak)	1.5KW	
Frequency Range	DC-6GHz	
VSWR	≤1.15 (DC-4GHz) ; ≤ 1.20 (4-6GHz)	
Impedance	50 Ω	
Connector Type	NEX10/ Male	NEX10/ Female
Inner Plating	Silver Plate or Gilded Plate	
Body Color	Black	
Radiator	Aluminum, RoHS Compliant	
Temperature	-35°C - +80°C	
Annotation	Indoor/Outdoor Use, IP65	

Product Drawing:



5W NEX10/ Male

5W NEX10/Female

10W NEX10 TERMINATION LOAD (DC-6G)

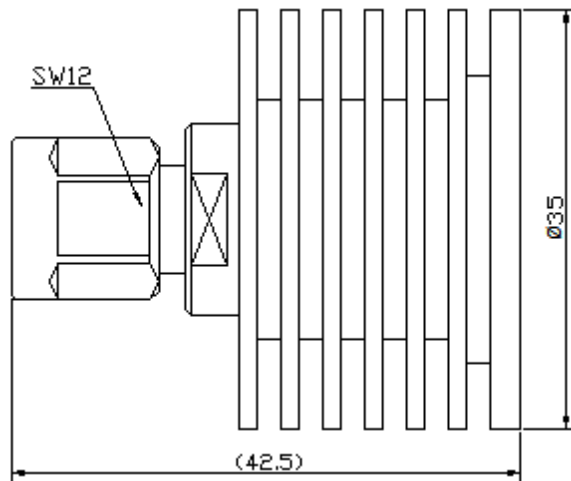


Rev.V1.1

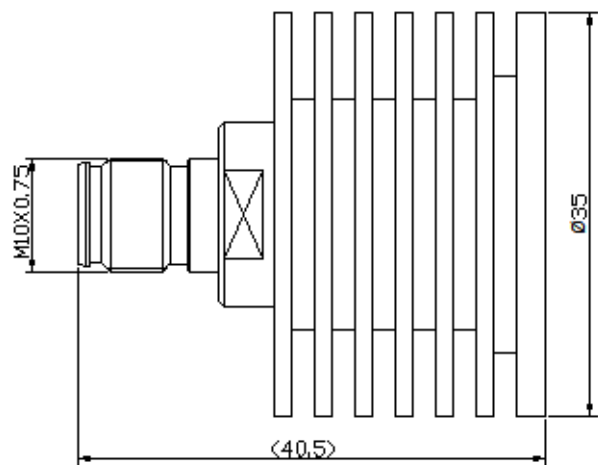
10W, NEX10 (DC-6GHz):
Specification of NEX10 Type ,10W Termination Load (DC-6GHz):

Item	Specification	
Model	10W-NEX10M-D	
Power (Average)	10W	
Power (Peak)	1.5KW	
Frequency Range	DC-6GHz	
VSWR	≤1.15 (DC-4GHz) ; ≤ 1.20 (4-6GHz)	
Impedance	50 Ω	
Connector Type	NEX10/ Male	NEX10/ Female
Inner Plating	Silver Plate or Gilded Plate	
Body Color	Black	
Radiator	Aluminum, RoHS Compliant	
Temperature	-35°C - +80°C	
Annotation	Indoor/Outdoor Use, IP65	

Product Drawing:



10W NEX10/ Male



10W NEX10/Female

25W NEX10 TERMINATION LOAD (DC-6G)

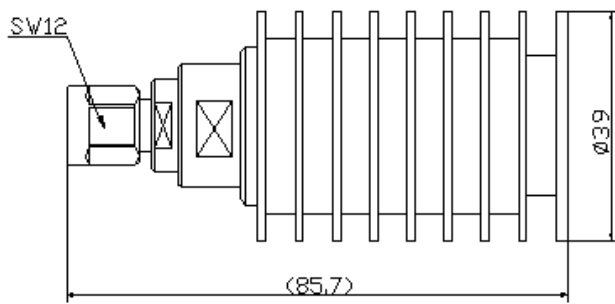


Rev.V1.1

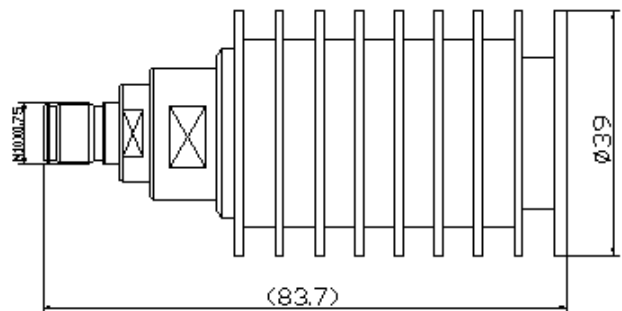
25W, NEX10 (DC-6GHz):
Specification of NEX10 Type ,25W Termination Load (DC-6GHz):

Item	Specification	
Model	25W-NEX10M-D	
Power (Average)	25W	
Power (Peak)	1.5KW	
Frequency Range	DC-6GHz	
VSWR	≤1.15 (DC-4GHz) ; ≤ 1.20 (4-6GHz)	
Impedance	50 Ω	
Connector Type	NEX10/ Male	NEX10/ Female
Inner Plating	Silver Plate or Gilded Plate	
Body Color	Black	
Radiator	Alumina,RoHS Compliant	
Temperature	-35°C - +80°C	
Annotation	Indoor/Outdoor Use, IP65	

Product Drawing:



25W NEX10/ Male



25W NEX10/Female

50W NEX10 TERMINATION LOAD (DC-6G)



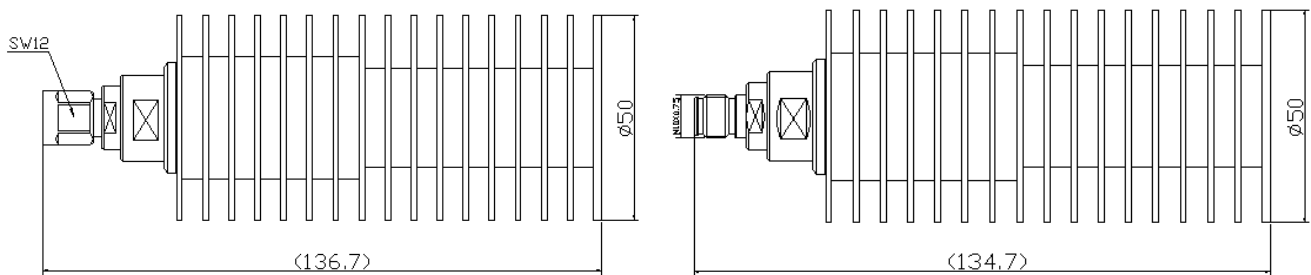
Rev.V1.1

50W,NEX10 (DC-6GHz):

Specification of NEX10 Type ,50W Termination Load (DC-6GHz):

Item	Specification	
Model	50W-NEX10M-D	
Power (Average)	50W	
Power (Peak)	1.5KW	
Frequency Range	DC-6GHz	
VSWR	≤1.15 (DC-4GHz) ; ≤ 1.20 (4-6GHz)	
Impedance	50 Ω	
Connector Type	NEX10/ Male	NEX10/ Female
Inner Plating	Silver Plate or Gilded Plate	
Body Color	Black	
Radiator	Aluminum, RoHS Compliant	
Temperature	-35°C - +80°C	
Annotation	Indoor/Outdoor Use, IP65	

Product Drawing:



50W NEX10/ Male

50W NEX10/Female