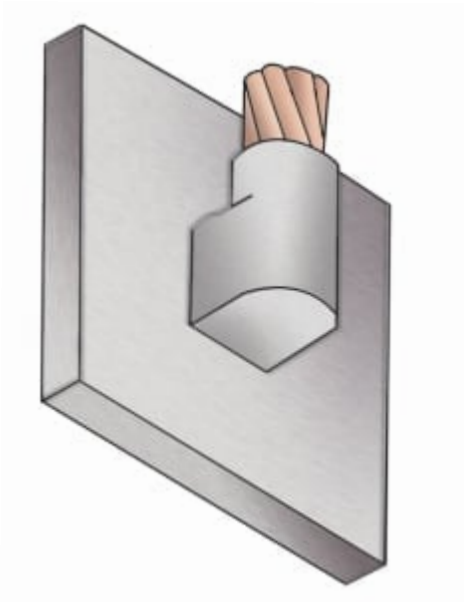


Part Number: **SVEU-2AS**



Specifications

#2 solid to vertical flat up Connection

Uses #65 Shot

Requires CL3 handle clamp