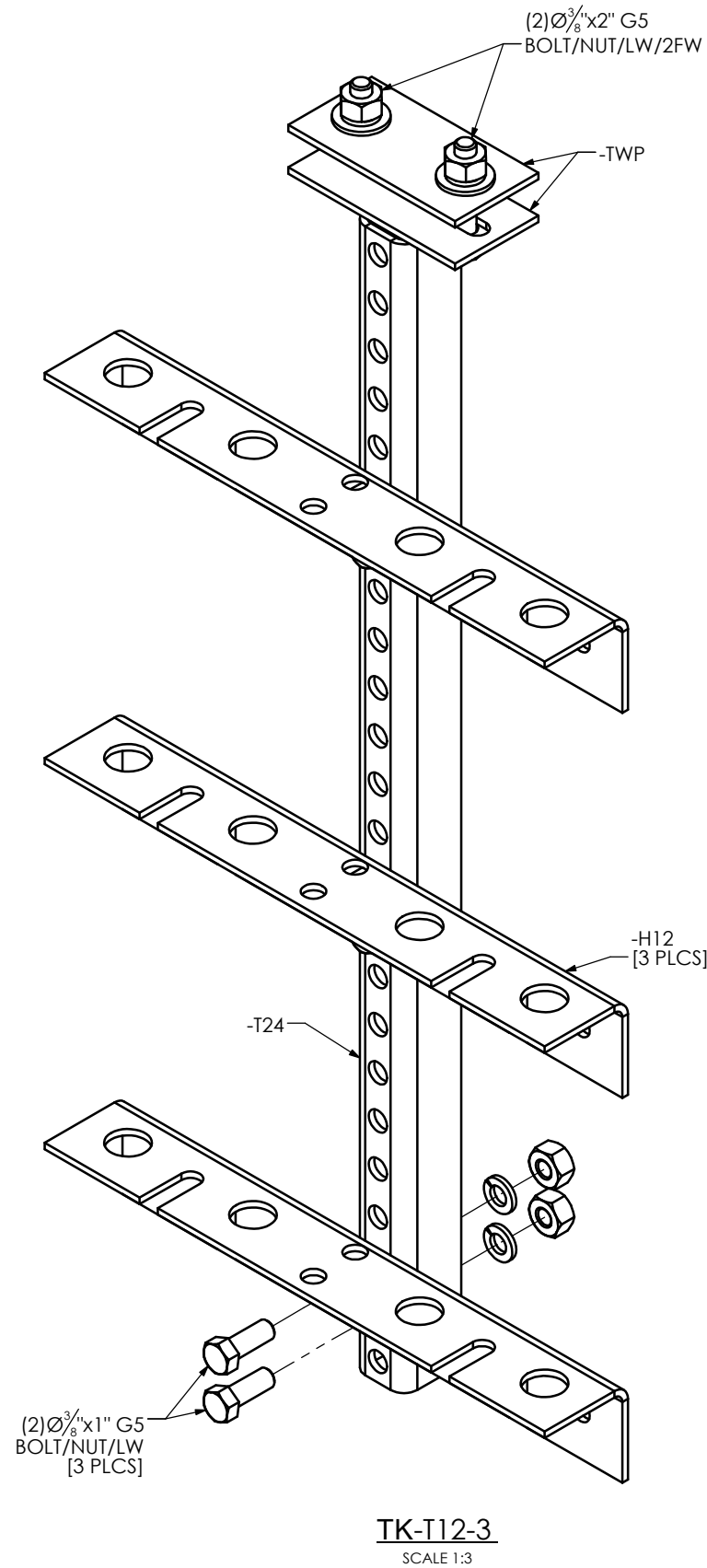


FILE NAME: WB-T12-3 DATE PRINTED: 4/28/2020



**BILL OF MATERIALS**

TOTAL SHIP WT = 9.5#

SHIP MARK	PC MARK	QTY.	DESCRIPTION	LENGTH	REMARKS	BLACK WT	Galv. WT
TK-T24	-	1	TRAPEZE VERTICAL BAR	2'-1 3/16"	BURN/FORM	3.2	3.3
WB-H12	-	3	TRAPEZE HORIZONTAL RUNG	1'-0"	BURN/FORM	1.5	1.6
WB-TWP	-	2	TRAPEZE WASHER PLATE	0'-4"	BURN	0.3	0.3
HARDWARE							
-	BG-38-200	2	$\frac{3}{8}$ " GALV. BOLT G5	0'-2"	-	-	-
-	BG-38-100	6	$\frac{3}{8}$ " GALV. BOLT G5	0'-1"	-	-	-
-	NG-38	8	$\frac{3}{8}$ " GALV. NUT	-	-	-	-
-	WLG-38	8	$\frac{3}{8}$ " GALV. LOCK WASHER	-	-	-	-
-	WFG-38	4	$\frac{3}{8}$ " GALV. FLAT WASHER	-	-	-	-

REVISIONS			
REV.	DATE	DESCRIPTION	BY
0	7/5/2018	INITIAL RELEASE	ZM

<p><b>IZZY INDUSTRIES</b> 701 RIVERWOOD STREET PEMBROKE, NH 03275 (T) 603-546-7117 (F) 866-715-4430</p>	PROJECT TITLE <b>TK-T12-3</b> 12" TRAPEZE KIT 3 RUNG INSTALL DRAWING		JOB NO. -
	CLIENT / CUSTOMER IZZY INDUSTRIES CATALOG		SCALE NTS
	DRAWN BY ZM	DATE 7/5/2018	CHECKED BY IM
GENERAL NOTES HOLES: AS NOTED FINISH: A123 GALVANIZING WELDING: STEEL ≤ GR.50: E7XT-X WIRE STEEL ≥ GR.65: E8XT-X WIRE			TOLERANCE: FRACTIONS - $\pm \frac{1}{16}$ " ANGLE - $\pm 1^\circ$
THIS DOCUMENT IS THE PROPRIETARY DATA OF IZZY INDUSTRIES. NO DISCLOSURE, REPRODUCTION, OR USE OF ANY PART THEREOF MAY BE MADE EXCEPT BY WRITTEN PERMISSION.			REV. 0 SHEET A-01

**APPROVED**  
FOR CONSTRUCTION ON:  
7/5/2018