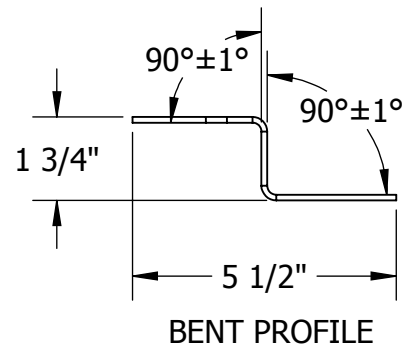
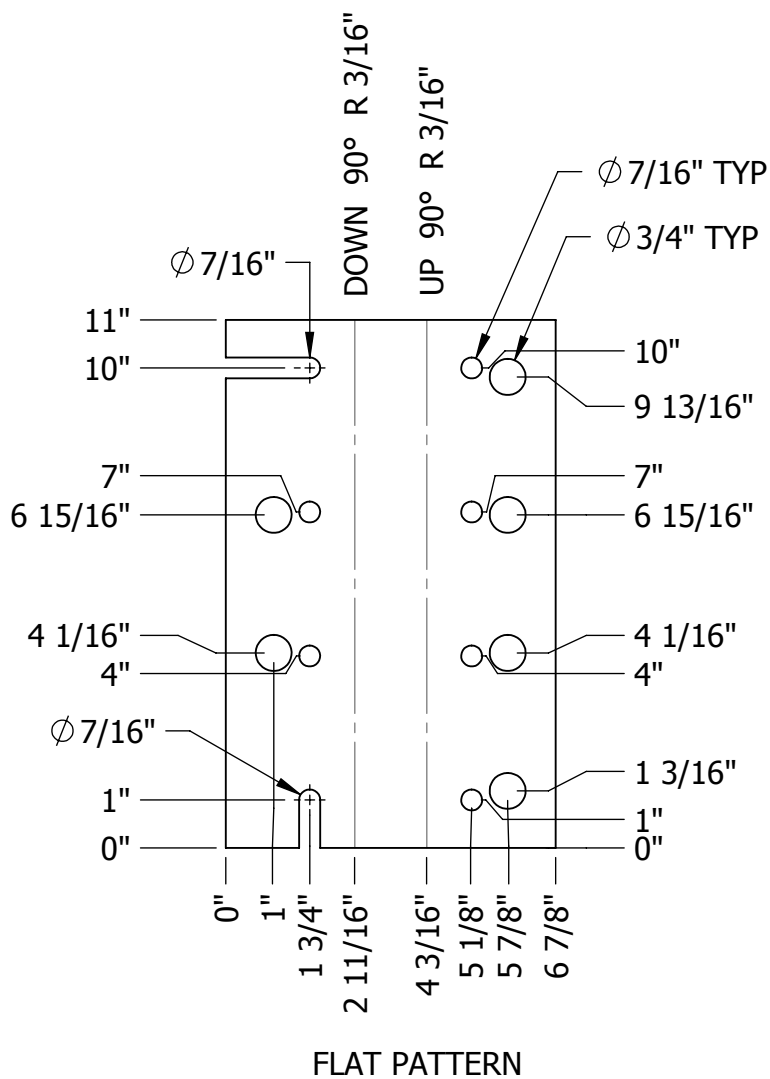
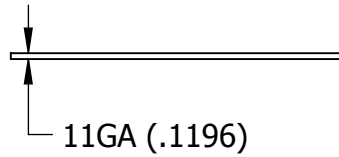
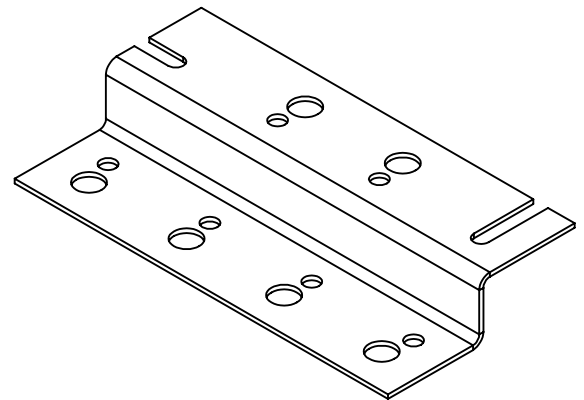


MATERIAL : A36

FINISH : GALVANIZED

WEIGHT (LBS): 2.41



PART # ZB4

HORIZONTAL Z BRACKET - 6 COAX RUNS



PAGE NUMBER

REVISION

DRAWN BY

SCALE : 1:4

DATE: 8/26/2015

1 OF 1

0

TOLERANCE U.N.O.:
HOLES: +1/16", - 1/32"
ALL OTHER: ±1/16"